



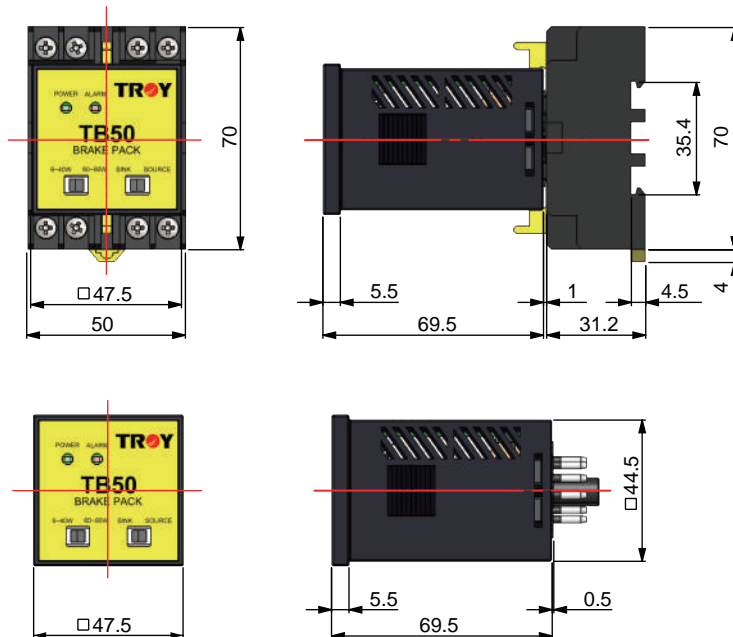
■ Specs

Model	TB50	
Specification certification	—	
AC power voltage(V)	Single phase AC110~230 ※	
DC power voltage(V)	DC23~26V	
Power frequency (Hz)	50	60
Drive current (A)	3	
Drive ability	90W or less	
Function	<ul style="list-style-type: none"> • Instant stop • CW/CCW operation • Electromagnetic brake lift • Motor overheat protection detection (ALARM output) 	
Ambient temperature	0~+40°C	
Ambient humidity	Max.85%RH	
Dimension (mm)	47.5(L) X 47.5(W) X 69.5(H)	
Weight (g)	104	

※ Please select the input power according to the Motor input power specifications

■ Dimension

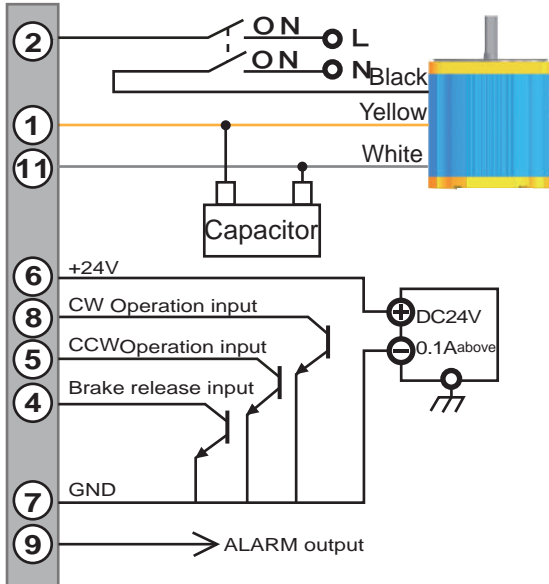
unit : mm



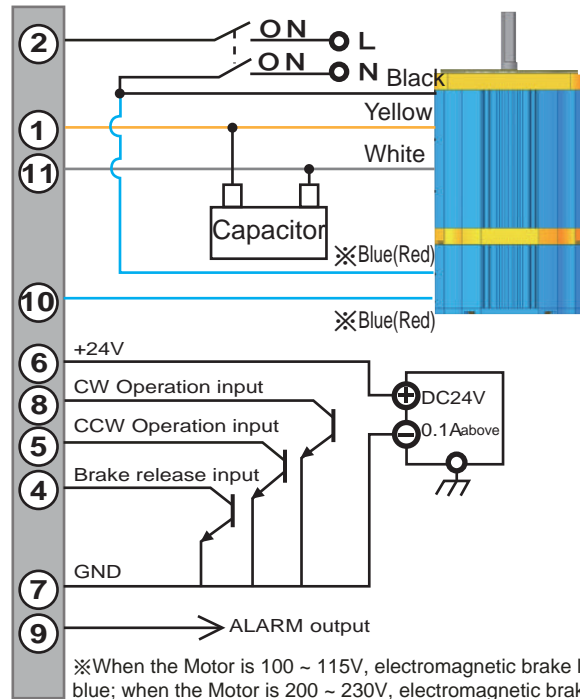
※ Foot Controller is non-accessory, and it should order additionally

■ Dimensions

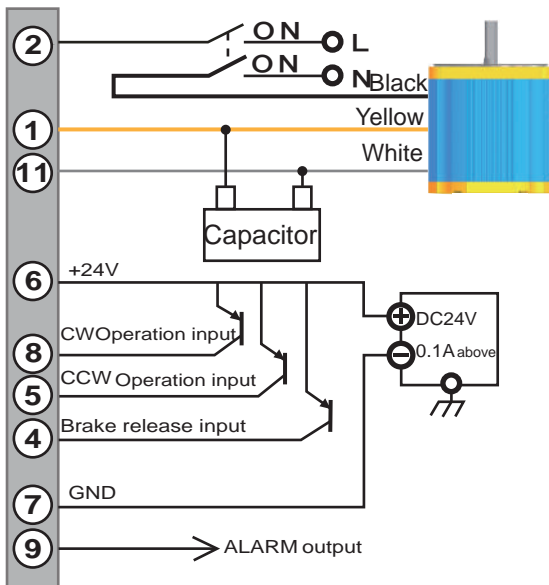
◆ Induction Motor - **SINK mode** wiring diagram



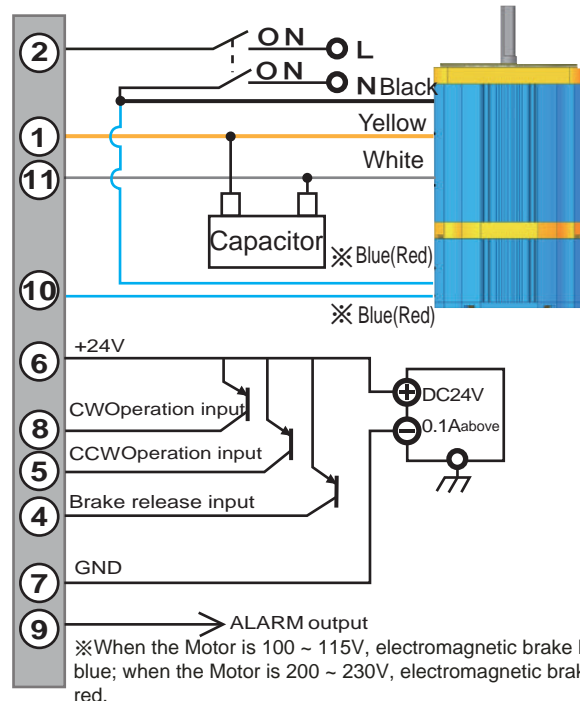
◆ Electromagnetic brake Motor - **SINK mode** wiring diagram



◆ Induction Motor - **SOURCE mode** wiring diagram



◆ Electromagnetic brake Motor - **SOURCE mode** wiring diagram



Common technical information

Product code number

Lead wire : Terminal box
Induction Motor
Wiring diagram

Lead wire : Terminal box
Reversible Motor
Wiring diagram

Speed controller : Induction Motor
Reversible Motor

Spec. Dimension
Electromagnetic Brake Motor
Wiring

Torque controller : Spec. Dimension

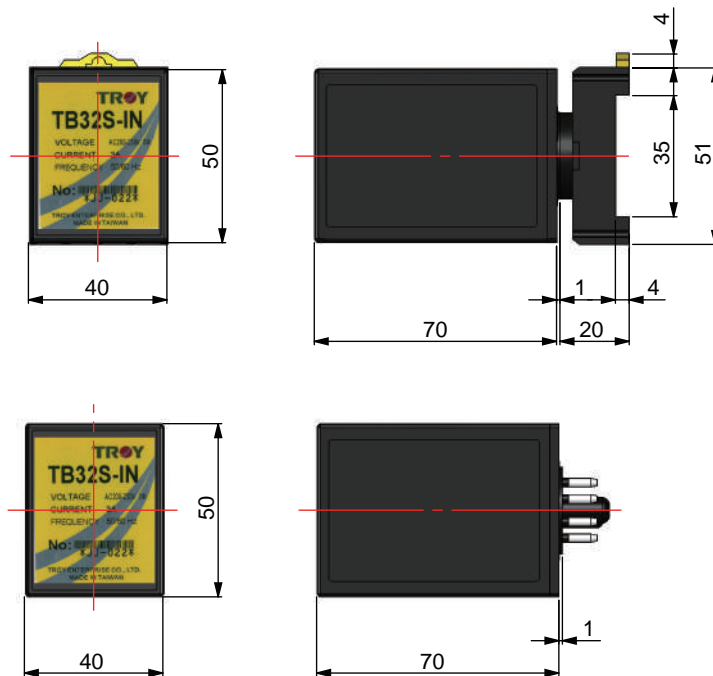
Brake controller



Specs

Model	TB32S-IN
Specification certification	-
AC power voltage(V)	Three phase AC200~230
Drive current (A)	≤ 3
Brake current time (sec)	About 0.5
Drive ability	Max 90W (60W, 90W need to connect braking resistor)
Function	• Instant stop
Ambient temperature	0~+40°C
Ambient humidity	Max.85%RH
Dimension (mm)	50(L) X 40(W) X 70(H)
Weight (g)	88

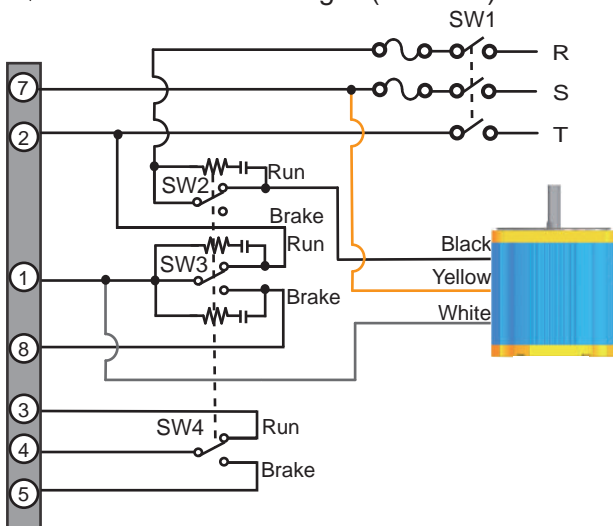
Dimension



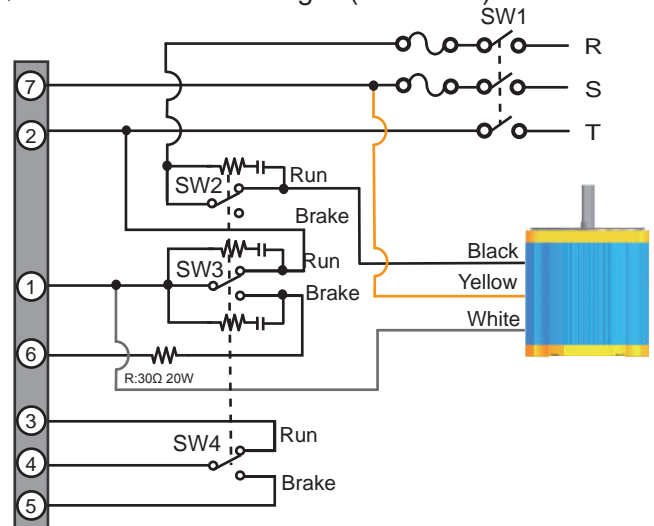
unit : mm

Wiring diagram

◆ Induction Motor wiring A (6 ~ 40W)



◆ Induction Motor wiring B (60 ~ 90W)



※ Foot Controller is non-accessory, and it should order additionally