

Others

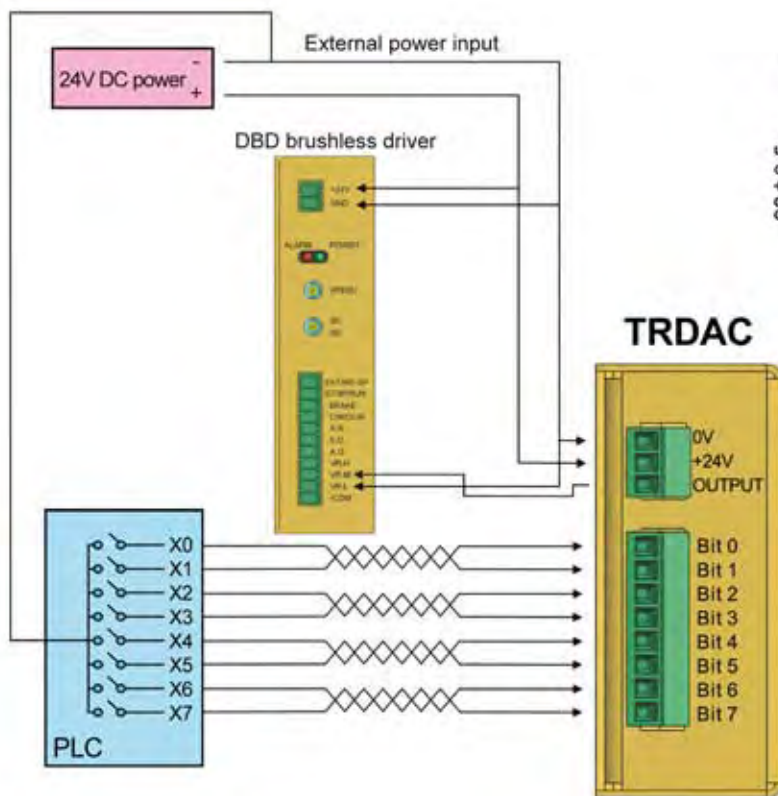


## D/A switching adaptor specs and dimensions

### Specs

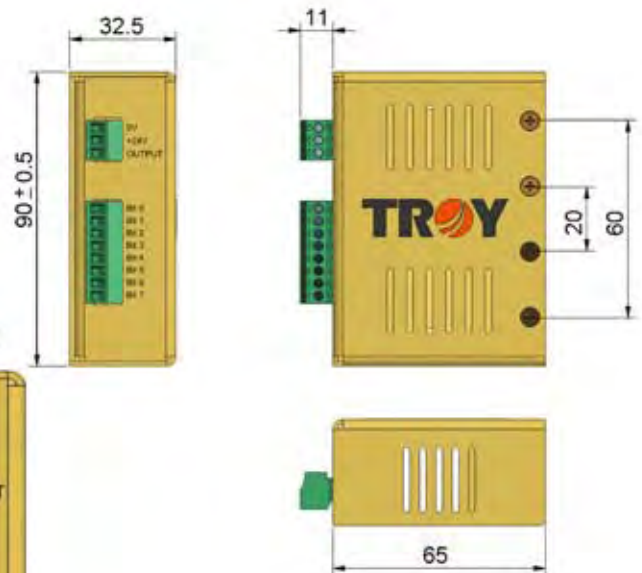
Model	TRDAC
Power input	DC24V MIN: > 0.1A
Signal input	8 bit digital signal
Voltage output	0~4.93V (256 voltage output setting)
Weight	100g
Ambient temperature	0°C~+40°C

### Wiring diagrams



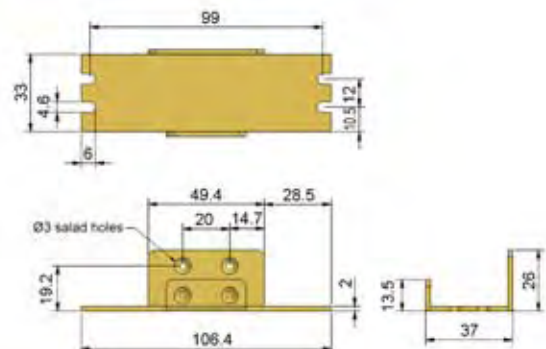
### Dimension

Unit: mm



### Mounting plate

Unit: mm



\* Tolerance standard adopts general machining tolerances, product outer dimensions part is ±0.2mm, other areas are mainly in accordance with the marking on the drawings.